

SOHO HOME



Benny Wall Light, Adjustable Arm, Uk

£250 Regular

£213 SOHO HOME+

Product details

The Benny wall light has a vintage feel that references the styles at Soho Warehouse, LA. The extendable wall light has a ribbed glass shade, which works well with an incandescent bulb. It's designed with versatile antique brass finish arms that move to suit your lighting needs. Fit it by your bedside to create directional light for late-night reading.

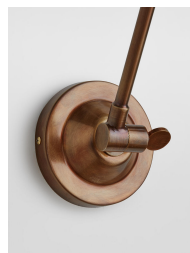
- Extendable arm
- Antique brass finish arms
- Ribbed glass shade
- Requires 1 / E14 / 28W Maximum
- Inspired by Soho Warehouse, LA

Dimensions

H57 x W16 x D47cm / H22 x W6 x D19"

Weight

2kg / 4.4lbs



Details

Materials: Iron and Glass
Wall Bracket Diameter: 12.5cm
Bulb Specification
Bulb(s) Included: No
Bulb Required: 1 / E14 / 28W Maximum

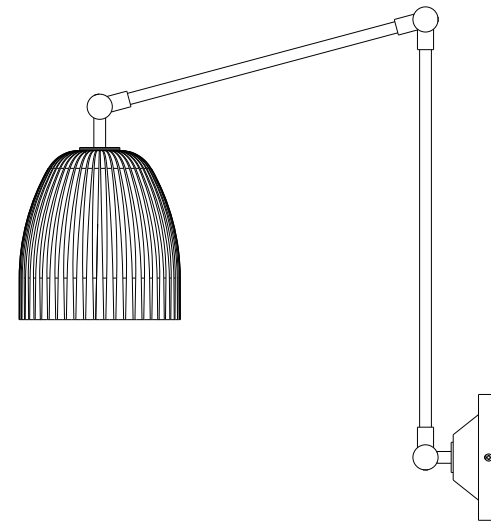
Assembly & Technical
Self-assembly Required: Yes
Electrician Required: No
Voltage: 220-240V
Compliance: CE
IP Rating: N/A
Environment: Dry
Electrical Class: Class 11
Dimmable: Yes. Yes. Please consult a qualified electrician regarding compatible bulbs for your dimmer switch system.
Care Instructions: Clean with a soft dry cloth only. Do not use polishing agents, harsh chemicals or abrasive cleaners as they may damage the finish. Always switch off the electricity supply before cleaning.



SOHO HOUSE



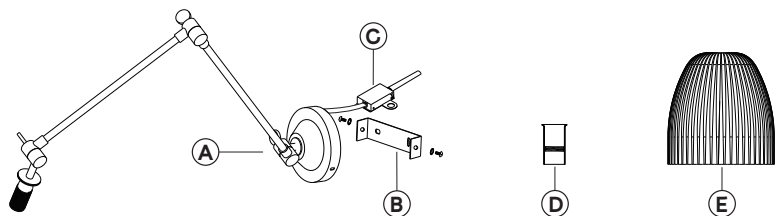
SOHO HOUSE



BENNY WALL LIGHT

74542133

PARTS LIST



- (A) Wall light (x1)
- (B) Mounting bracket (x1)(attached on wall plate)
- (C) Terminal block (x1)
- (D) Metal collar (x1)(attached on lampholder)
- (E) Glass shade(x1)

PRODUCT DIMENSION

570H x 160W x 470D mm(22.4H x 6.3W x 18.5D inch)

IMPORTANT SAFETY INSTRUCTIONS

- These instructions are provided for your safety.
- Please read instructions carefully and completely before beginning the assembly and installation of this lighting fixture.
- This fixture has been rated for up to one (1) E14 28Watt Maximum light bulb (not included). To avoid the risk of fire, do not exceed the recommended lamp wattage. Dispose of old bulbs with care.
- For your safety: if the external flexible cable becomes damaged, it must be exclusively replaced by a qualified person in order to avoid any danger or the lighting fixture must be discarded.
- Unless otherwise marked / illustrated this lamp is meant for use in a dry, domestic, indoor environment only.
- The finish is only guaranteed against normal non-aggressive atmospheric conditions.
- Do not fit in locations near a heat source, the sea, or in polluted atmospheres.
- Please retain these instructions for future reference. If the product is sold please ensure the instructions are left with the appliance for the benefit and safety of the new owner.

If you need help or have damaged or missing parts, our team is here to assist.

Please email hello@sohohome.com or call +44 (0)20 3819 8199



This light fixture is classified as Class I(Earthed)

WARNING

- Electricity can be dangerous.
- Disconnect the power supply at the fuse box before installation.
- Installation must be carried out by a competent person.
- If in any doubt consult a qualified electrician.
- Installation must comply with current local and national wiring regulations.

CHILD SAFETY

- Do not allow children to tamper with the product.
- Keep packaging out of reach of children.

INSTALLATION

- Take care when handling and installing to avoid damage to the product.
- Remove all parts and hardware from box along with any plastic protective packaging.
- Do not discard any contents until after assembly is complete to avoid accidentally discarding small parts or hardware.
- Avoid mounting the fitting on a damp surface such as newly painted or plastered area. This may cause discoloration of the finish.
- When installing and whenever acting on the appliance ensure that the power supply has been switched off.

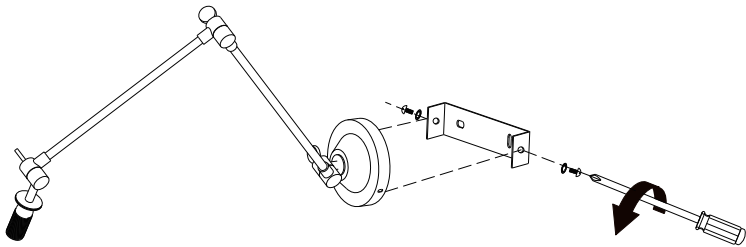
CARE INSTRUCTIONS

- Wipe clean with a soft, dry cloth or static duster only.
- Always avoid the use of polishing agents, water, harsh chemicals or abrasive materials when cleaning as they may cause damage to the fixture.
- Always switch off the electricity supply before cleaning.

TOOLS REQUIRED (Not Supplied)

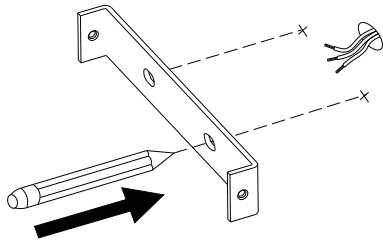
- Cross Head Screwdriver
- Flat Head Screwdriver
- Pencil
- Drill
- Insulation Tape

1



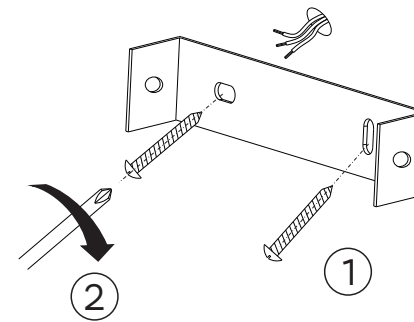
Remove the fixing screws and mounting bracket (B) from wall plate and retain for later use.

2



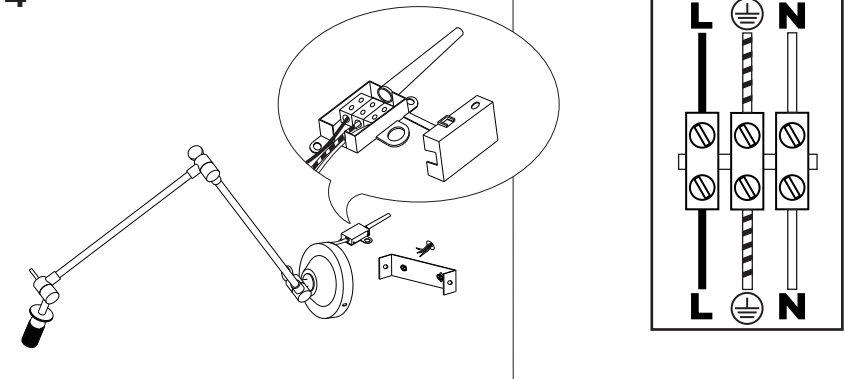
Using the bracket (B) as a template, mark and drill fixing holes on the wall.
Due to the variety of different wall types Soho Home cannot provide you with the exact fittings needed to fix this product to the wall. Different materials require different types of fittings.

3



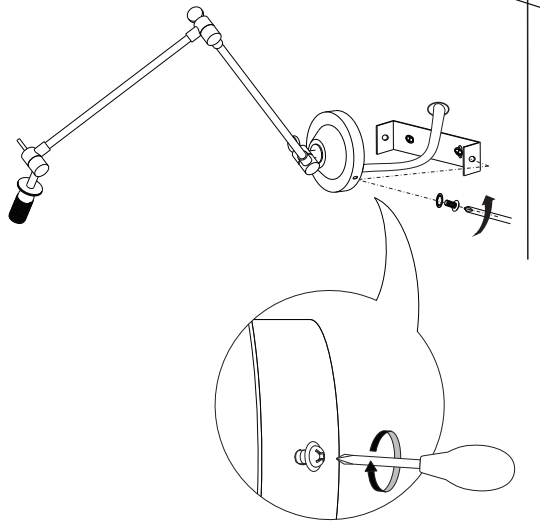
Attach the bracket (B) onto the wall using suitable fittings.
You will need to choose fittings that are specifically suited to the wall type and material you have. If you are unsure about what type of fittings to use please consult your local hardware store and/or qualified tradesperson to get the appropriate fittings.

4



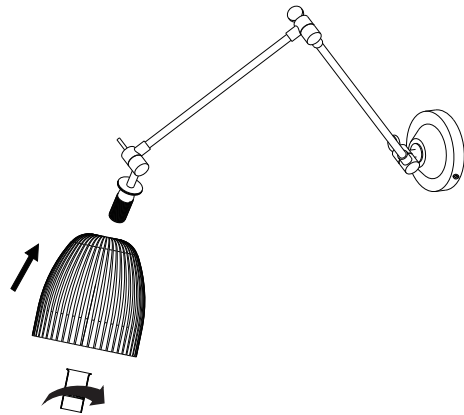
Connect the supply wires to the terminal block (C), opposite the corresponding wires from the fitting. Ensure that connections are tight and no loose strands of wire are left out of the connector block.

5



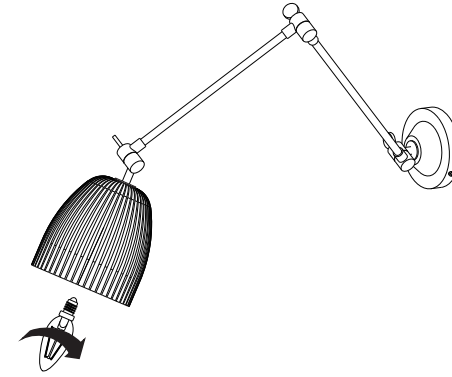
Use the fixing screws provided to secure the fitting to the pre fixed bracket (B) ensuring that the fixing points can bear the total weight of the fitting.

6



1. Unscrew metal collar (D) from the lampholder.
2. Place the shade (E) onto the lampholder.
3. Secure the shade (E) in place by turning the metal collar (D) in a clockwise direction until tight.

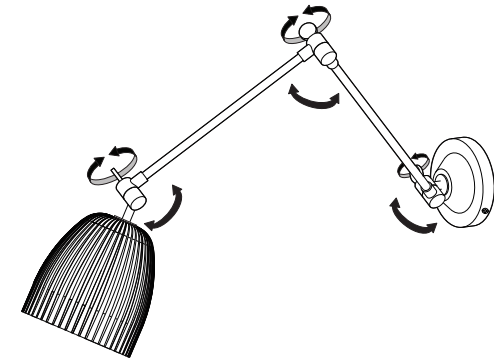
7



Bulb not included

Insert the specified light bulb into the Lampholder.
DO NOT EXCEED THE SPECIFIED WATTAGE.

8



The location and angle of glass shade is adjustable.
Loosen the handle on each joint in anti-clockwise direction. Adjust arm and shade to desired location and angle, and then tighten back each handle. ensure arms and shade are secured in place.